

Digital line scan cameras DVL / DVLC serie

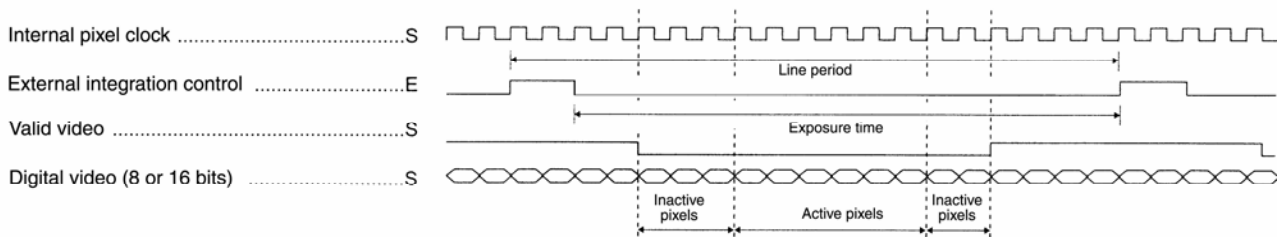


Optoelectronic characteristics

| | | |
|------------------------|---|--|
| Number of pixels | pixels | 3750 |
| Size of pixels | $\mu\text{m} \times \mu\text{m}$ | 14 x 7 |
| Photo-sensitive area | mm x μm | 52,5 x 7 |
| Sensitivity | Typical sensitivity at unity gain (lsb/lux.s) | 1 000 000 |
| Typical non-uniformity | % (without filtering) | ± 3 |
| Maximum non-uniformity | % (without filtering) | ± 10 |
| Pixel frequency | MHz | 20 |
| Maximum line frequency | kHz | 5,2 |
| Electronic shutter | | emulated shutter |
| Antiblooming | | no |
| RMS noise | lsb (16 bits) | 83 |
| Rise time | pixels | 0 |
| Output video formats | | 16 bits RS422 8 bits RS422 16 bits LVDS (RS644) camera link |
| Lens mounts | | F-Nikon 24x36 Mamiya 645 |
| Power supply | v | from 10 to 24 |
| Power | w | 0 |
| Fixing | | 4 possible mounting surfaces with 4 x M4 screws |
| Positioning | | mechanical positioning by centring studs and reference surface |
| Storage temperature | $^{\circ}\text{c}$ | - 20 $^{\circ}\text{c}$ / + 80 $^{\circ}\text{c}$ |
| Operating temperature | $^{\circ}\text{c}$ | 0 $^{\circ}\text{c}$ / + 50 $^{\circ}\text{c}$ |
| Weight | g | 780 |
| Gain | | programming via RS232 serial line, from 1 to 12 |
| Offset | | programming via RS232 serial line |
| Filtering | | programming via RS232 serial line |

D V L 3 7 5 0 T

Signals

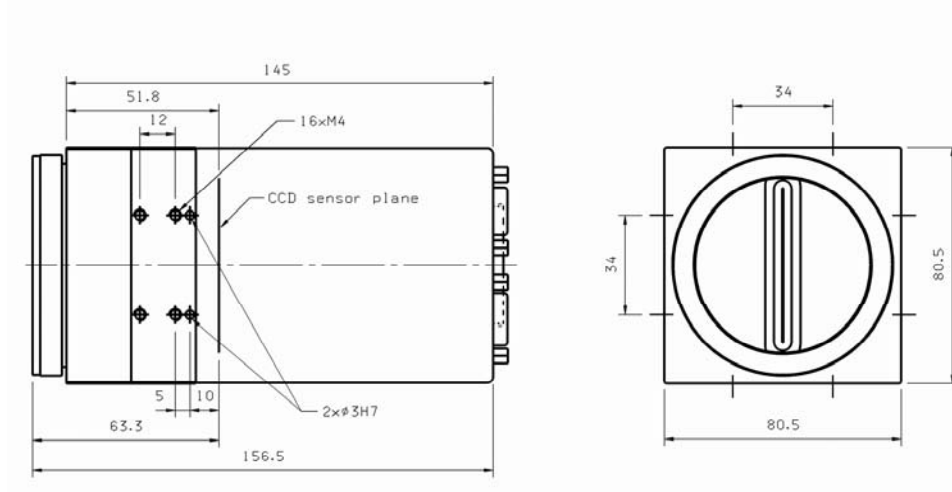


For cameras without electronic shutter, exposure time is equal to line period.

www.lord-ing.com

LORD Ingénierie - Z.A. de Marly - B.P. 110 - 91410 CORBREUSE - France
Tél: +33 (0) 164 551 551 - Fax: +33 (0) 164 595 595 - Email: sales@lord-ing.com

Mechanical characteristics (in millimeters)



Dimensions of cameras with Mamiya 645 mount.

Spectral sensitivity characteristics

Not Available

Ordering References

| | |
|------------------|---|
| DVL3750T/S0/MF2 | Digital line scan camera 3750 pixels, 40 MHz, with emulated shutter, 8 bits, RS422 output and F-Nikon mount |
| DVL3750T/S0/M645 | Digital line scan camera 3750 pixels, 40 MHz, with emulated shutter, 8 bits, RS422 output and Mamiya 645 mount |
| DVL3750T/S0/PM | Digital line scan camera 3750 pixels, 40 MHz, with emulated shutter, 8 bits, RS422 output, without mount |
| DVL3750T/S1/MF2 | Digital line scan camera 3750 pixels, 40 MHz, with emulated shutter, 16 bits, RS422 output and F-Nikon mount |
| DVL3750T/S1/M645 | Digital line scan camera 3750 pixels, 40 MHz, with emulated shutter, 16 bits, RS422 output and Mamiya 645 mount |
| DVL3750T/S1/PM | Digital line scan camera 3750 pixels, 40 MHz, with emulated shutter, 16 bits, RS422 output and without mount |
| DVL3750T/S2/MF2 | Digital line scan camera 3750 pixels, 40 MHz, with emulated shutter, 16 bits, LVDS output and F-Nikon mount |
| DVL3750T/S2/M645 | Digital line scan camera 3750 pixels, 40 MHz, with emulated shutter, 16 bits, LVDS output and Mamiya 645 mount |
| DVL3750T/S2/PM | Digital line scan camera 3750 pixels, 40 MHz, with emulated shutter, 16 bits, LVDS output and without mount |
| DVL3750T/S3/MF2 | Digital line scan camera 3750 pixels, 40 MHz, with emulated shutter, 16 bits, Camera Link output and F-Nikon mount |
| DVL3750T/S3/M645 | Digital line scan camera 3750 pixels, 40 MHz, with emulated shutter, 16 bits, Camera Link output and Mamiya 645 mount |
| DVL3750T/S3/PM | Digital line scan camera 3750 pixels, 40 MHz, with emulated shutter, 16 bits, Camera Link output and without mount |

www.lord-ing.com

LORD Ingénierie - Z.A. de Marly - B.P. 110 - 91410 CORBREUSE - France
Tél: +33 (0) 164 551 551 - Fax: +33 (0) 164 595 595 - Email: sales@lord-ing.com