

# Digital line scan cameras DVL / DVLC serie

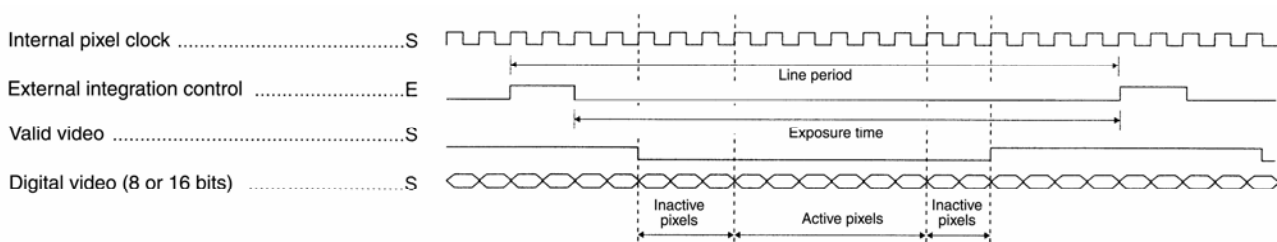


## Optoelectronic characteristics

Number of pixels	pixels	7500
Size of pixels	$\mu\text{m} \times \mu\text{m}$	7 x 7
Photo-sensitive area	mm x $\mu\text{m}$	52,5 x 7
Sensitivity	Typical sensitivity at unity gain (lsb/lux.s)	500 000
Typical non-uniformity	% (without filtering)	$\pm 3$
Maximum non-uniformity	% (without filtering)	$\pm 10$
Pixel frequency	MHz	20
Maximum line frequency	kHz	2,6
Electronic shutter		no
Antiblooming		no
RMS noise	lsb (16 bits)	43
Rise time	pixels	
Output video formats		16 bits RS422 8 bits RS422 16 bits LVDS (RS644) camera link
Lens mounts		F-Nikon 24x36 Mamiya 645
Power supply	v	from 10 to 24
Power	w	
Fixing		4 possible mounting surfaces with 4 x M4 screws
Positioning		mechanical positioning by centring studs and reference surface.
Storage temperature	$^{\circ}\text{C}$	- 20 $^{\circ}\text{C}$ / + 80 $^{\circ}\text{C}$
Operating temperature	$^{\circ}\text{C}$	0 $^{\circ}\text{C}$ / + 50 $^{\circ}\text{C}$
Weight	g	1040
Gain		programming via RS232 serial line, from 1 to 12
Offset		programming via RS232 serial line
Filtering		programming via RS232 serial line

D  
V  
L  
7  
5  
0  
0  
T  
2

## Signals

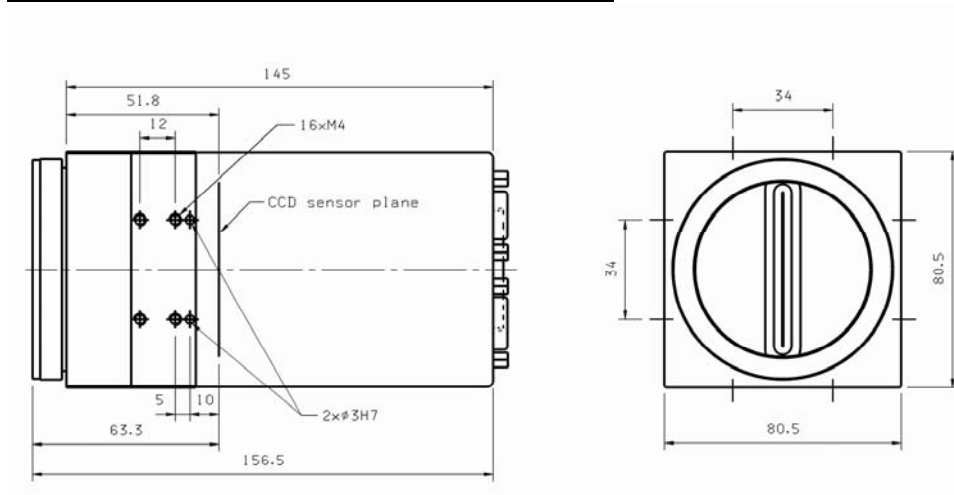


*For cameras without electronic shutter, exposure time is equal to line period.*

[www.lord-ing.com](http://www.lord-ing.com)

LORD Ingénierie - Z.A. de Marly - B.P. 110 - 91410 CORBREUSE - France  
Tél: +33 (0) 164 551 551 - Fax: +33 (0) 164 595 595 - Email: sales@lord-ing.com

## Mechanical characteristics (in millimeters)



*Dimensions of cameras with Mamiya 645 mount.*

## Spectral sensitivity characteristics

Not Available

## Ordering References

DVL7500T2/S0/MF2	Digital line scan camera 7500 pixels, 40 MHz, with emulated shutter, 8 bits, RS422 output and F-Nikon mount
DVL7500T2/S0/M645	Digital line scan camera 7500 pixels, 40 MHz, with emulated shutter, 8 bits, RS422 output and Mamiya 645 mount
DVL7500T2/S0/PM	Digital line scan camera 7500 pixels, 40 MHz, with emulated shutter, 8 bits, RS422 output, without mount
DVL7500T2/S1/MF2	Digital line scan camera 7500 pixels, 40 MHz, with emulated shutter, 16 bits, RS422 output and F-Nikon mount
DVL7500T2/S1/M645	Digital line scan camera 7500 pixels, 40 MHz, with emulated shutter, 16 bits, RS422 output and Mamiya 645 mount
DVL7500T2/S1/PM	Digital line scan camera 7500 pixels, 40 MHz, with emulated shutter, 16 bits, RS422 output and without mount
DVL7500T2/S2/MF2	Digital line scan camera 7500 pixels, 40 MHz, with emulated shutter, 16 bits, LVDS output and F-Nikon mount
DVL7500T2/S2/M645	Digital line scan camera 7500 pixels, 40 MHz, with emulated shutter, 16 bits, LVDS output and Mamiya 645 mount
DVL7500T2/S2/PM	Digital line scan camera 7500 pixels, 40 MHz, with emulated shutter, 16 bits, LVDS output and without mount
DVL7500T2/S3/MF2	Digital line scan camera 7500 pixels, 40 MHz, with emulated shutter, 16 bits, Camera Link output and F-Nikon mount
DVL7500T2/S3/M645	Digital line scan camera 7500 pixels, 40 MHz, with emulated shutter, 16 bits, Camera Link output and Mamiya 645 mount
DVL7500T2/S3/PM	Digital line scan camera 7500 pixels, 40 MHz, with emulated shutter, 16 bits, Camera Link output and without mount

[www.lord-ing.com](http://www.lord-ing.com)

LORD Ingénierie - Z.A. de Marly - B.P. 110 - 91410 CORBREUSE - France  
Tél: +33 (0) 164 551 551 - Fax: +33 (0) 164 595 595 - Email: sales@lord-ing.com