

Digital line scan cameras DVL / DVLC serie

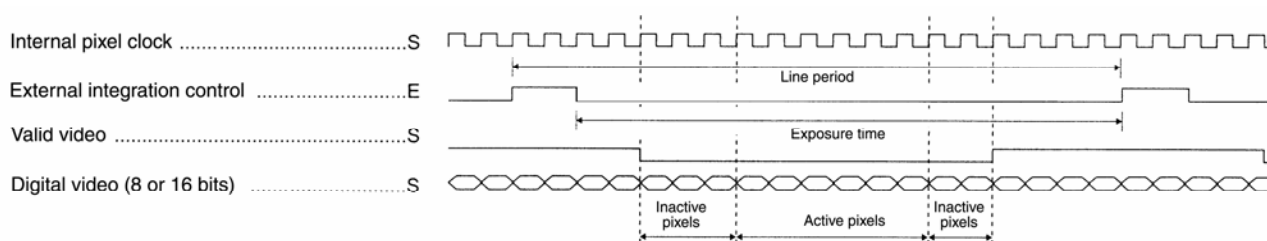


D
V
L
7
5
0
0
T

Optoelectronic characteristics

Number of pixels	pixels	7500
Size of pixels	µm x µm	7 x 7
Photo-sensitive area	mm x µm	52,5 x 7
Sensitivity	Typical sensitivity at unity gain (lsb/lux.s)	500 000
Typical non-uniformity	% (without filtering)	± 3
Maximum non-uniformity	% (without filtering)	± 10
Pixel frequency	MHz	20
Maximum line frequency	kHz	2,6
Electronic shutter		no
Antiblooming		no
RMS noise	lsb (16 bits)	43
Rise time	pixels	
Output video formats		16 bits RS422 8 bits RS422 16 bits LVDS (RS644) camera link
Lens mounts		F-Nikon 24x36 Mamiya 645
Power supply	v	from 10 to 24
Power	w	
Fixing		4 possible mounting surfaces with 4 x M4 screws
Positioning		mechanical positioning by centring studs and reference surface.
Storage temperature	°c	- 20°c / + 80°c
Operating temperature	°c	0°c / + 50°c
Weight	g	1040
Gain		programming via RS232 serial line, from 1 to 12
Offset		programming via RS232 serial line
Filtering		programming via RS232 serial line

Signals

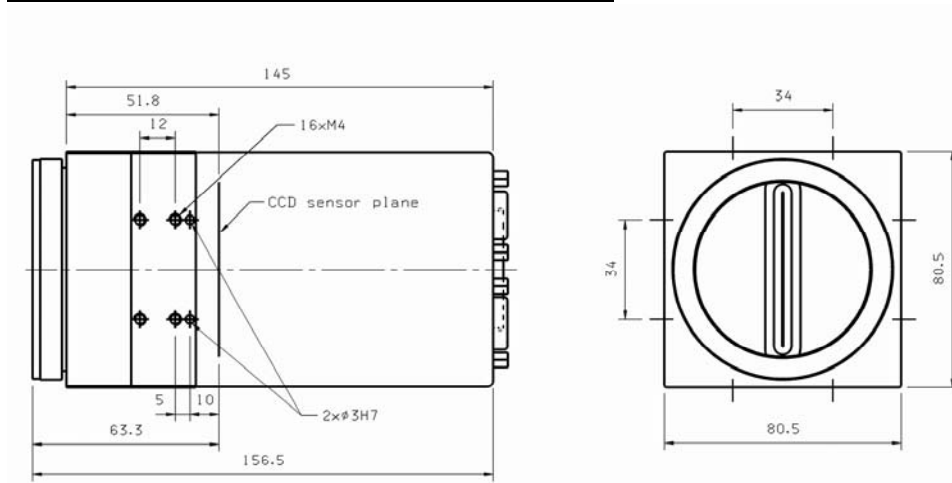


For cameras without electronic shutter, exposure time is equal to line period.

www.lord-ing.com

LORD Ingénierie - Z.A. de Marly - B.P. 110 - 91410 CORBREUSE - France
Tél: +33 (0) 164 551 551 - Fax: +33 (0) 164 595 595 - Email: sales@lord-ing.com

Mechanical characteristics (in millimeters)



Dimensions of cameras with Mamiya 645 mount.

Spectral sensitivity characteristics

Not Available

Ordering References

DVL7500T/S0/MF2	Digital line scan camera 7500 pixels, 20 MHz, 8 bits, RS422 output and F-Nikon mount
DVL7500T/S0/M645	Digital line scan camera 7500 pixels, 20 MHz, 8 bits, RS422 output and Mamiya 645 mount
DVL7500T/S0/PM	Digital line scan camera 7500 pixels, 20 MHz, 8 bits, RS422 output, without mount
DVL7500T/S1/MF2	Digital line scan camera 7500 pixels, 20 MHz, 16 bits, RS422 output and F-Nikon mount
DVL7500T/S1/M645	Digital line scan camera 7500 pixels, 20 MHz, 16 bits, RS422 output and Mamiya 645 mount
DVL7500T/S1/PM	Digital line scan camera 7500 pixels, 20 MHz, 16 bits, RS422 output and without mount
DVL7500T/S2/MF2	Digital line scan camera 7500 pixels, 20 MHz, 16 bits, LVDS output and F-Nikon mount
DVL7500T/S2/M645	Digital line scan camera 7500 pixels, 20 MHz, 16 bits, LVDS output and Mamiya 645 mount
DVL7500T/S2/PM	Digital line scan camera 7500 pixels, 20 MHz, 16 bits, LVDS output and without mount
DVL7500T/S3/MF2	Digital line scan camera 7500 pixels, 20 MHz, 16 bits, Camera Link output and F-Nikon mount
DVL7500T/S3/M645	Digital line scan camera 7500 pixels, 20 MHz, 16 bits, Camera Link output and Mamiya 645 mount
DVL7500T/S3/PM	Digital line scan camera 7500 pixels, 20 MHz, 16 bits, Camera Link output and without mount

www.lord-ing.com

LORD Ingénierie - Z.A. de Marly - B.P. 110 - 91410 CORBREUSE - France
Tél: +33 (0) 164 551 551 - Fax: +33 (0) 164 595 595 - Email: sales@lord-ing.com